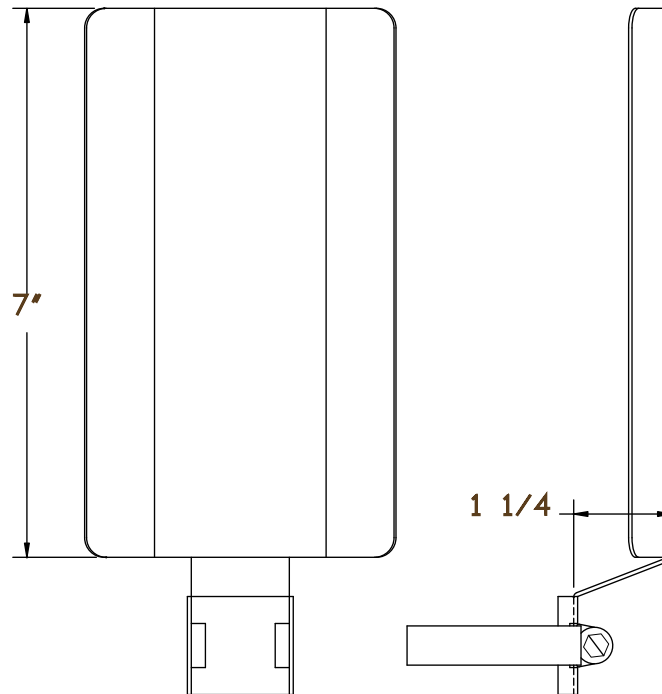
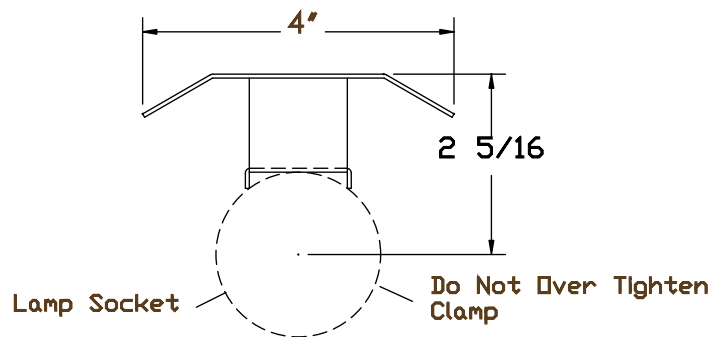


Victor Illuminating, Inc  
1955 Railroad Dr. Ste A  
Sacramento, CA 95815  
www.victorilluminating.com

Ph: 916-648-9360  
Fax: 916-648-9363

## V3SH-ED28 HOUSESIDE SHIELD



Installs easily with SST hoseclamp  
For use with ED28 Mogal base lamps